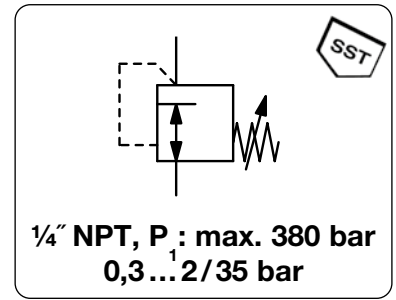


STAINLESS STEEL HIGH PRESSURE REGULATOR UP TO 380 BAR

RHB-S

Description	Diaphragm-operated high pressure regulator made of stainless steel.		
Media	compressed air or neutral gases		
Supply pressure	max. 380 bar		
Adjustment	by T-handle with locknut		
Relieving function	non-relieving		
Gauge port	1/4" NPT on both sides of the body, screw plugs supplied		
Mounting position	any		
Temperature range	0 °C to 106 °C / 32 °F to 223 °F, for appropriately conditioned compressed air down to -40 °C / -40 °F		
Material	Body: stainless steel 316, material no. 1.4401 Diaphragm: Monel 400	O-rings: NBR/Buna-N Valve seat: nylon, optionally PTFE	



Dimensions			K _v -value (m ³ /h)	Flow rate		Connection thread NPT	Pressure range bar	Order number
A	B	C		m ³ /h*1	l/min*1			

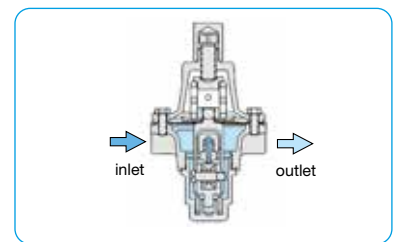
High pressure regulator 380 bar							by T-handle with locknut, non-relieving, nylon seat, NBR/Buna-N	RHB-S
85	156	60	0.13	240	4000	1/4" NPT	0.3 ... 2	RHB-02AS
							0.3 ... 4	RHB-02BS
							0.3 ... 8	RHB-02CS
							0.3 ... 10	RHB-02DS
							0.3 ... 15	RHB-02ES
85	177	60					0.3 ... 35	RHB-02FS



RHB-02DS



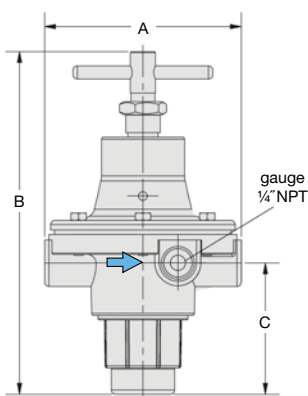
RHB-02DST, with tamper-proof cap



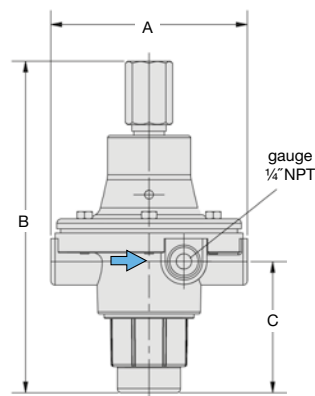
cross-section

Special options, add the appropriate letter

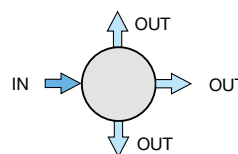
tamper-proof cap	made of SST, total height 150 mm or rather 172 mm	RHB-02 . ST
PTFE-valve seat*2		RHB-02 . S1



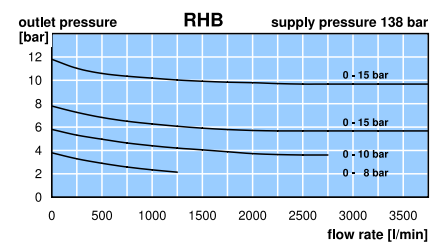
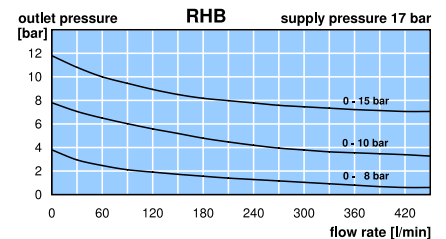
RHB-02.S
with T-handle



RHB-02.ST
with tamper-proof cap



connection diagram



*1 P₁ = 138 bar, P₂ = 10 bar and Δp = 3 bar

*2 Pressure range 1,5...35 bar by RHB-02FS

